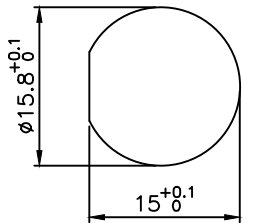
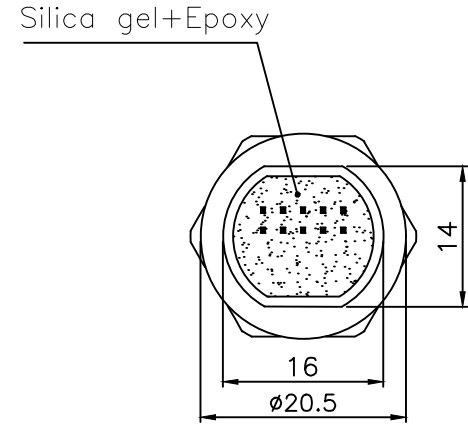
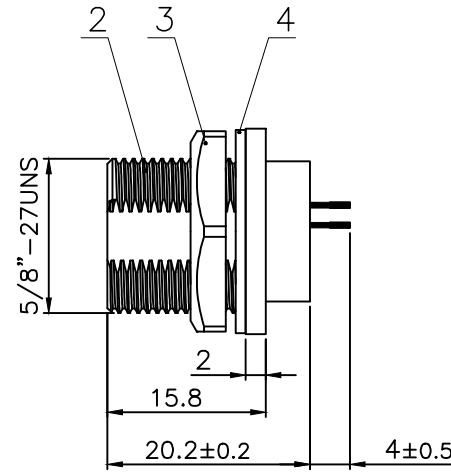
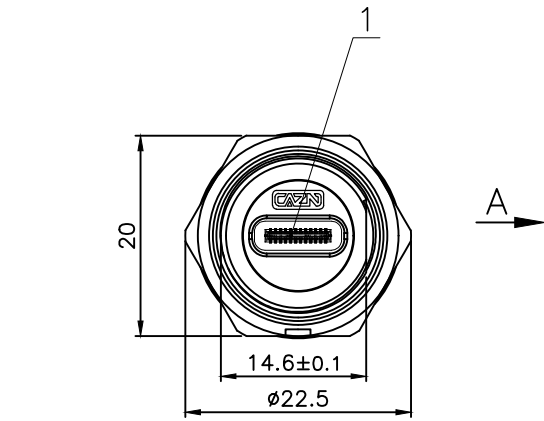
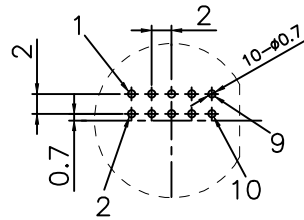


pin assignment		
TYPE C Signal pin	Function definition	P.C.B Pin serial number
A4、A9 B4、B9	VCC	1
A4、A9 B4、B9	VCC	2
B11	RX+	3
A7	D-	4
B10	RX-	5
A6	D+	6
A3	TX-	7
A5	CC	8
A2	TX+	9
A1、A12 B1、B12	GND	10



BOARD END HOLE
OPENING SIZE



RECOMMENDED
P.C.B LAYOUT

4	E10 Waterproof cushion $\phi 20.3 \times \phi 15.4-1$	Silicone	black	pc	1
3	E10 flange nut	PA66	black	pc	1
2	E10 Thread Type-C Body	PA66	black	pc	1
1	Type-C Double female head+PCB	/	Gold plated	pc	1
No.	Specification	Material	Treat	Unit	Q'ty

Technical specifications:

Materials:

Mating cycles:	≥ 500	Contact material:	Phosphor bronze
Rated current:	1.5A	Shell material:	PA66+GF
Temperature range:	$-40^{\circ}\text{C} \sim 80^{\circ}\text{C}$	Waterproof material:	Silicone
Degree of protection:	IP65/IP67		
Contact resistance:	$< 30\text{m}\Omega$		
Insulation resistance:	$> 500\text{M}\Omega$		
Withstand voltage:	$\cong \text{AC } 1000\text{V}/1\text{min}$		
Flame retardant grade:	UL94-V0		

GENERAL TOLERANCE (UNLESS SPECIFIED)	≤ 10	± 0.1	DWN	DATE	
	$< 10 \sim \leq 20$	± 0.2	CHK	DATE	
	$< 20 \sim \leq 50$	± 0.5	APVD	DATE	
	Angle	$\pm 1^{\circ}$			TITLE
 THIRD ANGLE	UNIT	MM	REV	A	PART NO
	SIZE	A4	SHEET	1 OF 1	DRAWING NO
					E10TPC-TF1-F